

PLEASE CHECK WWW.MOLEX.COM FOR LATEST PART INFORMATION

Part Number: [0194190021](#)
Status: **Active**
Overview: [mx150l sealed connector system](#)
Description: MX150L™ 16 Circuit Plug for 14-16 AWG Wire

Documents:

[3D Model](#) [Product Specification PS-19417-001 \(PDF\)](#)
[Drawing \(PDF\)](#) [RoHS Certificate of Compliance \(PDF\)](#)

Agency Certification

CSA LR18689
 UL E152602

General

Product Family Crimp Housings
 Series [19419](#)
 Overview [mx150l sealed connector system](#)
 Product Literature Order No 987650-2181
 Product Name MX150L™

Physical

Circuits (maximum) 16
 Flammability 94V-0
 Gender Male
 Glow-Wire Compliant No
 Lock to Mating Part Yes
 Number of Rows 2
 Packaging Type Bag
 Panel Mount No
 Pitch - Mating Interface (in) 0.230 In
 Pitch - Mating Interface (mm) 5.84 mm
 Polarized to Mating Part Yes
 Stackable No
 Temperature Range - Operating -40°C to +125°C

Electrical

Current - Maximum per Contact 18A

Material Info

Reference - Drawing Numbers

Application Specification AS-19417-001
 Packaging Specification PK-19419-001
 Product Specification PS-19417-001
 Sales Drawing SD-19419-007

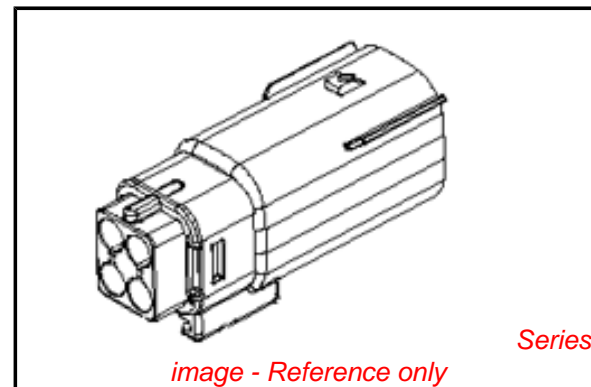


image - Reference only

EU RoHS

**ELV and RoHS
 Compliant**
REACH SVHC
 Not Reviewed
**Halogen-Free
 Status**
Not Reviewed

China RoHS



**Need more information on product
 environmental compliance?**

Email productcompliance@molex.com
 For a multiple part number RoHS Certificate of
 Compliance, [click here](#)

Please visit the [Contact Us](#) section for any
 non-product compliance questions.

Search Parts in this Series

[19419Series](#)

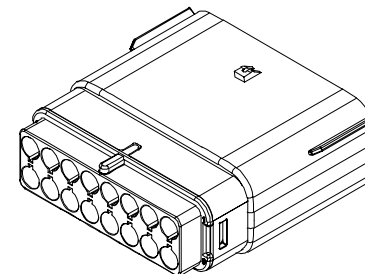
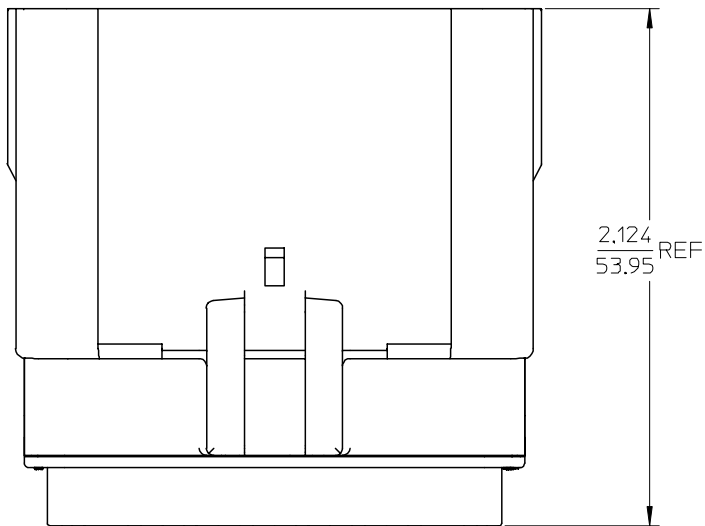
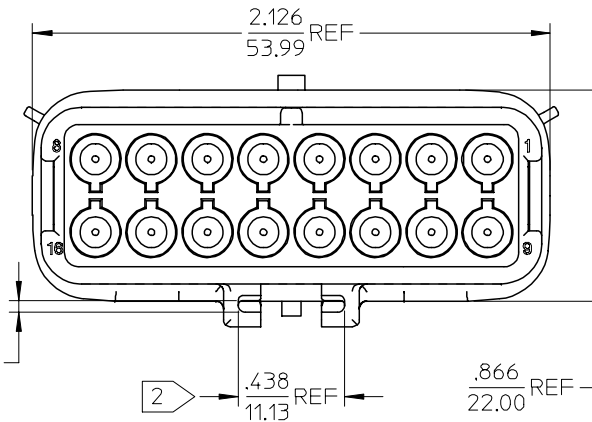
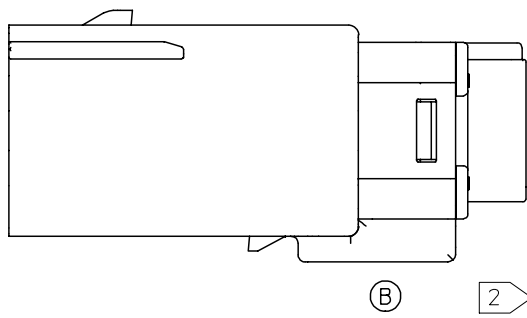
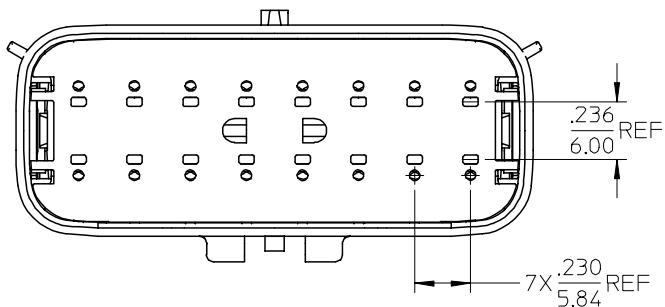
Mates With

[19418 Receptacle Assemblies](#)

Use With

[19417 Male Crimp Terminals](#)

10 9 8 7 6 5 4 3 2 19419



ASSEMBLED VIEW
SCALE 1:1

194190021	16	16-14
194190020	16	22-18
MATERIAL NUMBER	CIRCUIT SIZE	UL WIRE AWG

NOTES:

1. ASSEMBLY PACKAGED PER PK-19419-001.
2. MOUNTING SLOT DIMENSIONS.
3. USE CONNECTOR WITH MALE CRIMP TERMINAL: SERIES 19417.

EC NO: ETC2004-0202 DRWN: DMYRICK 2004/06/03 CHKD: JPAWLICK 2004/06/03 APPR: JPAWLICK 2004/06/03	QUALITY SYMBOLS	GENERAL TOLERANCES (UNLESS SPECIFIED)		SCALE 2:1	DESIGN UNITS INCH	THIRD ANGLE PROJECTION	REVISE ON CAD ONLY	
	DESCRIPTION ▽ = 0 ▽C = 0		mm	INCH	DIMENSION STYLE IN/MM		TITLE 16 WAY PLUG ASSEMBLY	
		4 PLACES	± ---	± ---	DRAWN BY D.MYRICK	DATE 03/12/29	MATERIAL NO. SEE CHART	
		3 PLACES	± ---	± .015	CHECKED BY JPAWLICK	DATE 03/12/29	DOCUMENT NO. SD-19419-007	SHEET NO. 1 OF 1
	2 PLACES	± 0.38	± ---	APPROVED BY R.DEROSS		DATE 03/12/29		
	1 PLACE	± ---	± ---	DRAFT WHERE APPLICABLE		MUST REMAIN WITHIN DIMENSIONS		
		ANGULAR ± 1 °		THIS DRAWING CONTAINS INFORMATION THAT IS PROPRIETARY TO MOLEX INCORPORATED AND SHOULD NOT BE USED WITHOUT WRITTEN PERMISSION				

8 7 6 5 4 3 2 1